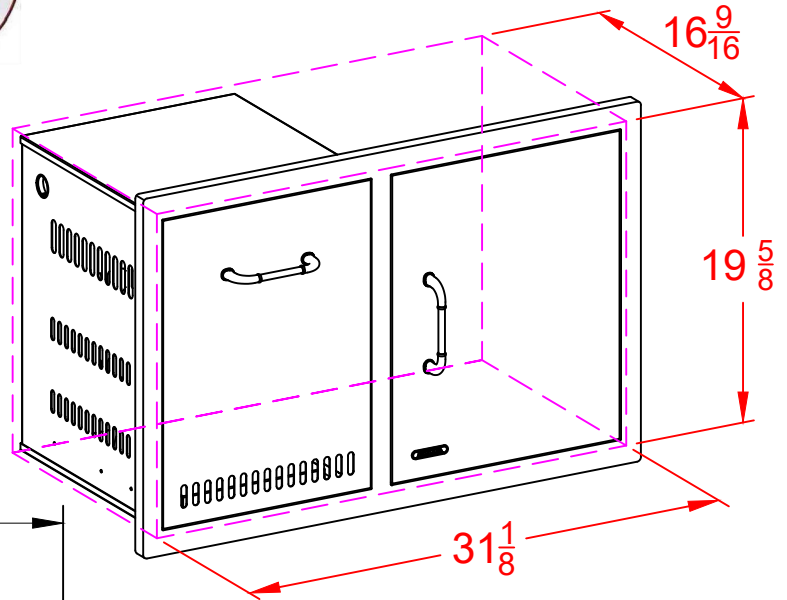




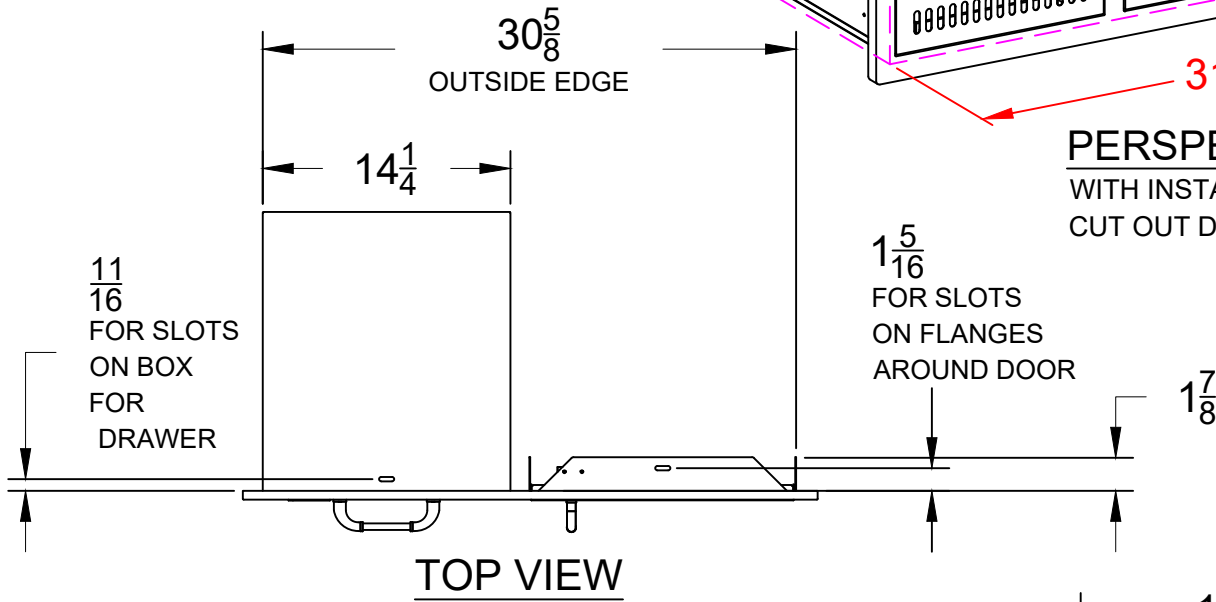
WWW.BULLBBQ.COM

# DOOR / PROPANE DRAWER COMBO WITH REVEAL

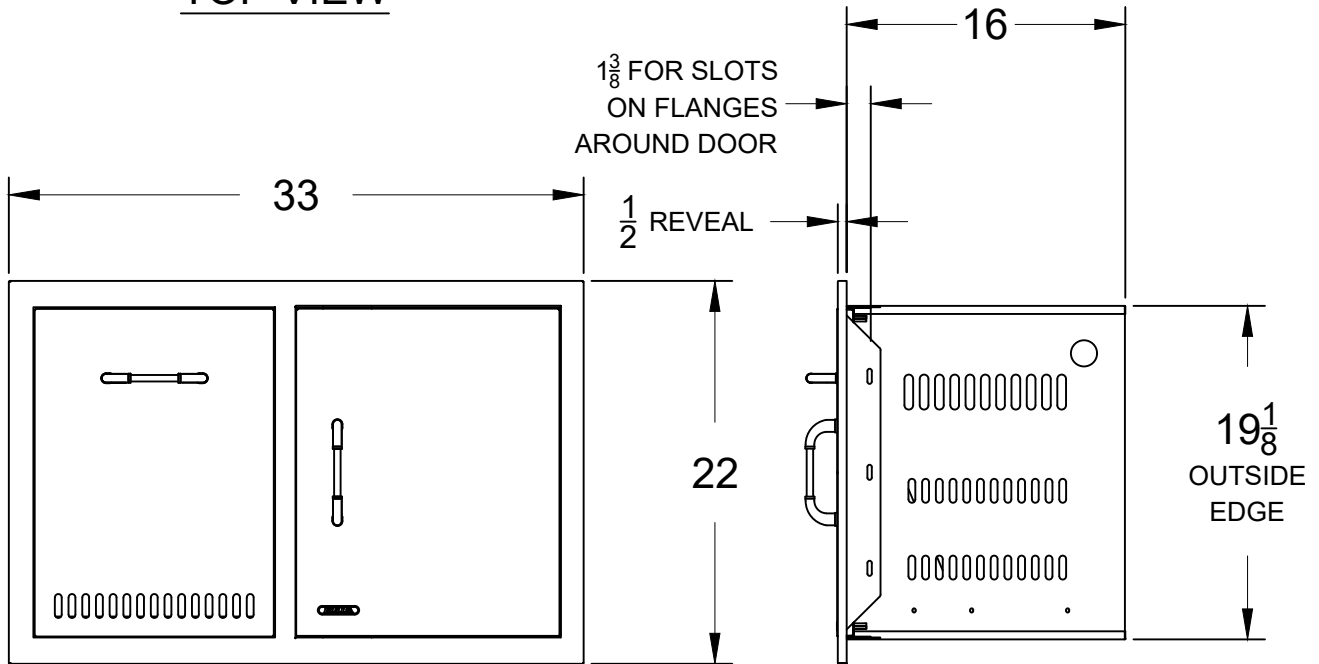
SPEC SHEET  
ITEM #65790



**PERSPECTIVE VIEW**  
WITH INSTALLATION  
CUT OUT DIMENSIONS



**TOP VIEW**



**FRONT VIEW**

**SIDE VIEW**

### NOTES:

- 1) ALL DIMENSIONS ARE IN INCH UNITS
- 2) REFER TO PERSPECTIVE VIEW FOR INSTALLATION CUTOUT DIMENSIONS.

v.2023.07.31