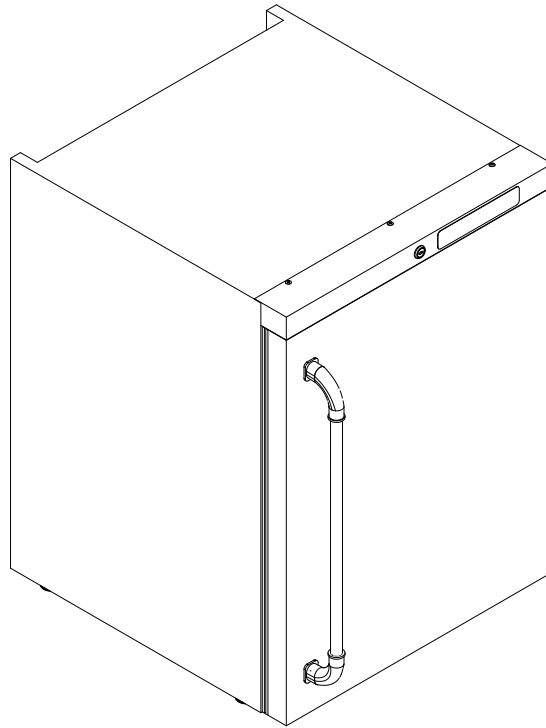
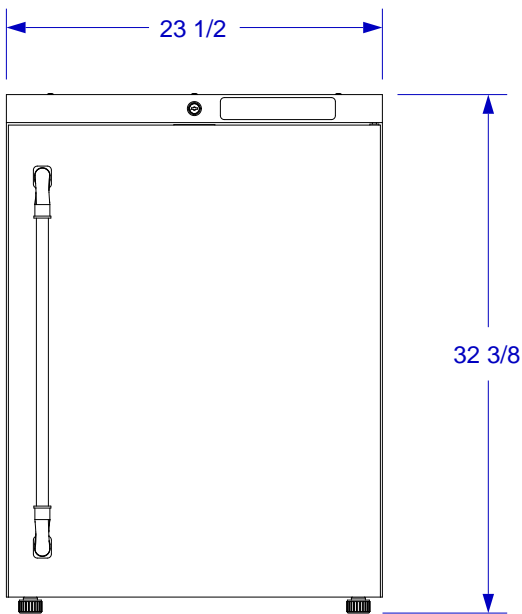




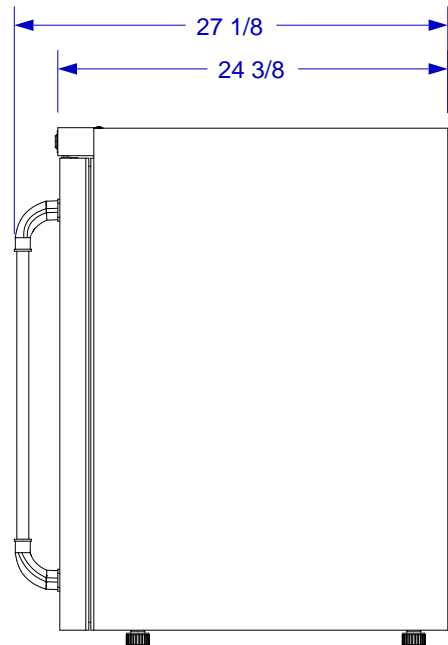
PREMIUM OUTDOOR REFRIGERATOR SPEC SHEET



ISOMETRIC VIEW



FRONT VIEW



RIGHT SIDE VIEW

NOTES:

1. CUTOUT DIMENSIONS: 24 1/4"W X 33"L X 24 3/8"D
2. CUTOUT DIMENSIONS ARE FOR REFRIGERATOR ONLY. REFER TO PREMIUM OUTDOOR REFRIGERATOR FRAME SPEC SHEET FOR REFRIGERATOR FRAME CUTOUT DIMENSIONS.
3. SCALE: 1" = 1'-0"